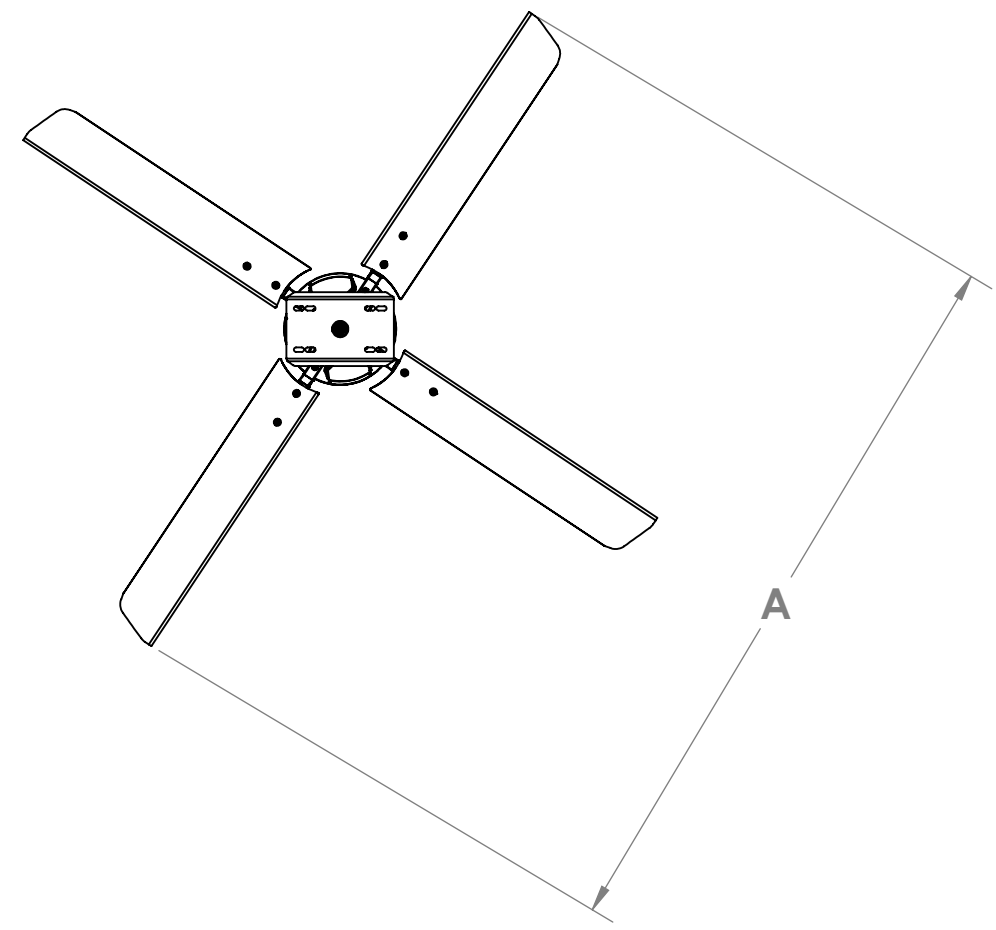
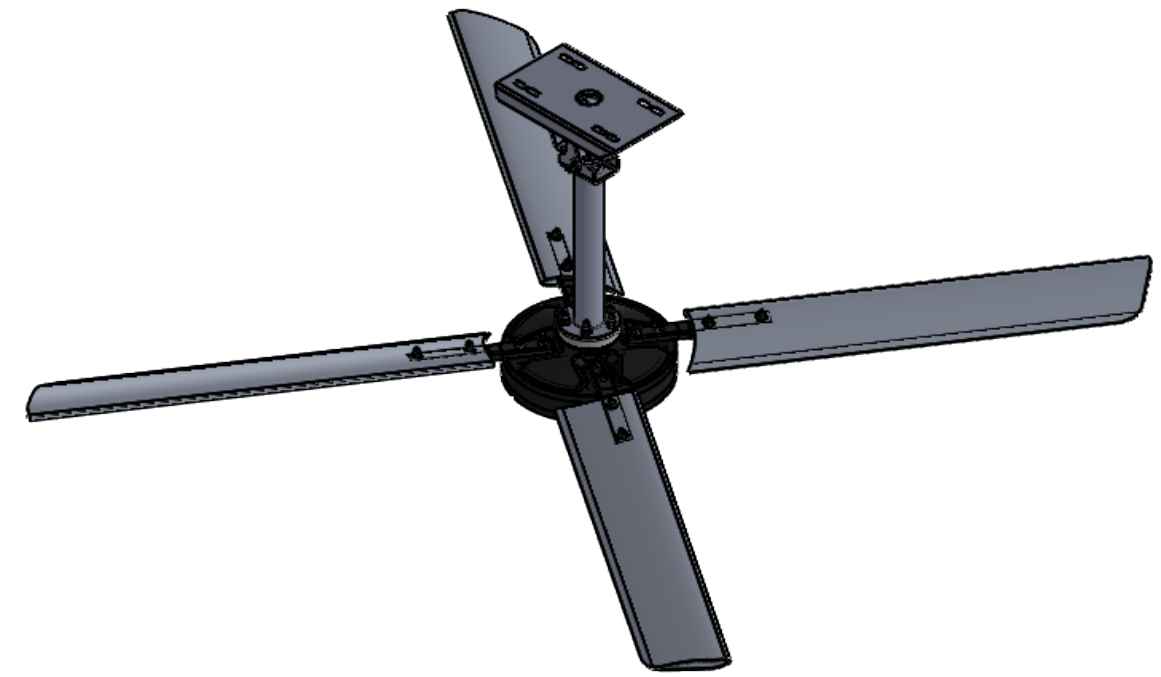
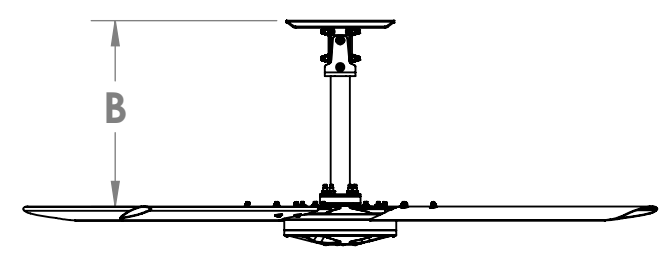


4

3

2

1



XP FAN SIZE(FT.)	DIM. A (INCHES)	DIM. B (INCHES)
7	84	24 - 48
8	96	24 - 48
10	120	24 - 48
12	144	24 - 48
14	168	24 - 48

REV	DATE	DESCRIPTION	UNLESS OTHERWISE SPECIFIED:	NAME	DATE	Hunter Fan Co.	
			DIMENSIONS ARE IN MM TOLERANCES: ANGULAR: MACH ±.1° BEND ±1° TWO PLACE DECIMAL ±.25 THREE PLACE DECIMAL ±.025	DRAWN	JAB	7-15-19	TITLE: XP FAN ASSEMBLIES 7,8,10,12 & 14 FT.
			INTERPRET GEOMETRIC TOLERANCING PER:	CHECKED			
			MATERIAL	ENG APPR.			
			FINISH	MFG APPR.			
			DO NOT SCALE DRAWING	Q.A.			SIZE DWG. NO. REV
				COMMENTS:			B
				EXP. NO: -7432			SCALE: 1:25 WEIGHT: SHEET 1 OF 1

PROPRIETARY AND CONFIDENTIAL
 THE INFORMATION CONTAINED IN THIS DRAWING IS THE SOLE PROPERTY OF HUNTER FAN CO., MEMPHIS, TN. ANY REPRODUCTION IN PART OR AS A WHOLE WITHOUT THE WRITTEN PERMISSION OF HUNTER FAN CO., MEMPHIS, TN. IS PROHIBITED.

4

3

2

1

B

B

A

A