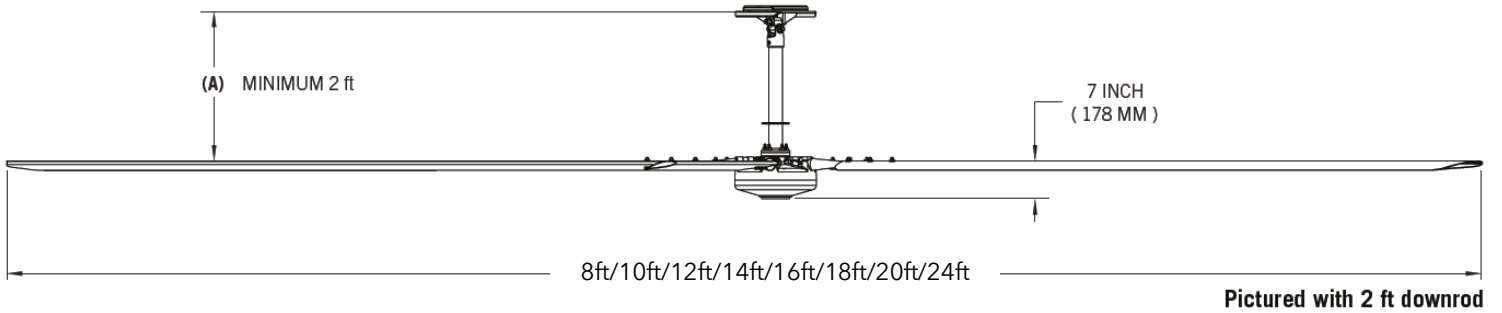




AIRFOIL DIAMETER	8ft	10ft	12ft	14ft	16ft	18ft	20ft	24ft
Airfoil Material	6005A Structural Grade Aluminum							
Airfoil Width	7 in							
Number of Airfoils	4							
Airfoil Color	Black Matte							



PERFORMANCE	8ft	10ft	12ft	14ft	16ft	18ft	20ft	24ft
Max Speed (RPM)	190	140	110	100	90	80	70	60
Recommended Spacing	32 ft	40 ft	48 ft	56 ft	64 ft	72 ft	80 ft	96 ft
Max Affected Area (SQFT)	1,600	2,500	3,600	4,900	6,400	8,100	10,000	14,400
Sound Level dBA at Max Speed	<55	<55	<55	<55	<55	<55	<55	<55

HANGING REQUIREMENTS	8ft	10ft	12ft	14ft	16ft	18ft	20ft	24ft
Hanging Weight (lbs)	87	97	101	128	135	138	145	159
Max Torque (ft*lb)	12.8	26	32.5	33.5	43.1	51.3	56.9	72.2

* for AMCA 230-15 rating please see: <https://www.amca.org/certified-listed/products.html?c=3422&t=24#large-diameter-ceiling-fan>



MOTOR AND DRIVE TRAIN 8ft 10ft 12ft 14ft 16ft 18ft 20ft 24ft

Motor Type	Brushless Direct Current Motor							
Equivalent Horsepower Rating	5/8 HP							
Operating Temp Range	14° to 140° F (-10° to 60° C)							
Motor Color	Black Matte							

MAX AMP DRAW 8ft 10ft 12ft 14ft 16ft 18ft 20ft 24ft

200-240V Single Phase	2.7 A	2.7 A	4.6 A	4.5 A	5.6 A	4.9 A	5.5 A	6.3 A
200-240V Three Phase	1.4 A	1.4 A	2.4 A	2.4 A	2.8 A	2.6 A	2.9 A	2.6 A
400-480V Three Phase	1.2 A	1.9 A	1.8 A	2.0 A	2.2 A	2.0 A	2.1 A	2.3 A

POWER AND CONTROLS

Power Source	AC 1PH 200-240V 50-60HZ, AC 3PH 200-240V 50-60HZ, AC 3PH 380-480V 50-60HZ							
Main Controller	Variable Frequency Drive							
Wall Control Options	Digital HMI 350, 500 or 700E Series							
Building Management Control Options	BACnet MS/TP, BACnet IP, Modbus RTU							

INSTALLATION

Mounting Options	I-Beam, Glulam, Unistrut or Perlin							
Downrod Length	2ft - 10ft							
Extension	Downrods available in 1 ft increments: 2 ft min., 10 ft max. Downrod length must be specified at time of order. Above 10ft inquire.							
Motor Wiring	Pre-wired motor cables with twist lock connections							
HMI Wiring	CAT5/RJ45 Power Over Ethernet (POE)							

The logo for Hunter Industrial, featuring the word "Hunter" in a large, white, cursive script font, with the word "INDUSTRIAL" in a smaller, white, sans-serif font below it, all set against a dark background.

Hunter
INDUSTRIAL

The logo for ECO, consisting of the letters "ECO" in a large, white, bold, sans-serif font, enclosed within a white rectangular border.

ECO

RATINGS AND COMPLIANCE

Fire and Sprinkler	NFPA 13 and NFPA 72 Compliant
Wash Down Duty Rating	Damp rated
Certifications	ETL/INTERTEK-CERTIFIED TO ANSI/UL 507 AND CSA C22.2 NO.113, IEC 61800-3, CE, AMCA Certified
Safety Features	Redundant Blade Attachment System, Safety Retention Cable, Motor & Drive Protections, Fire Relay
Warranty	Limited Lifetime Warranty