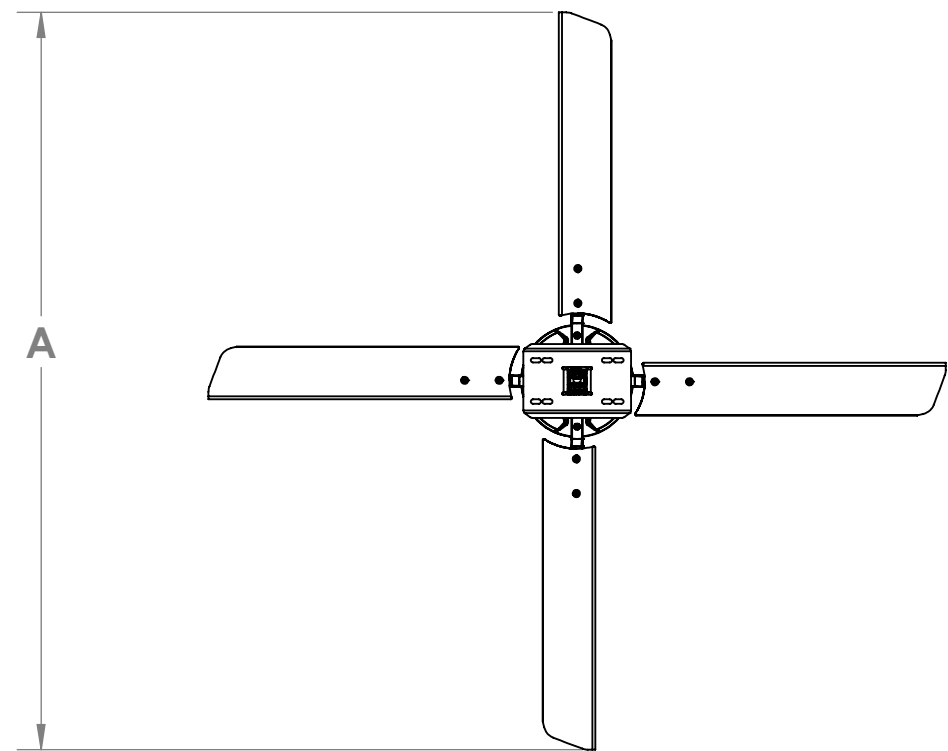
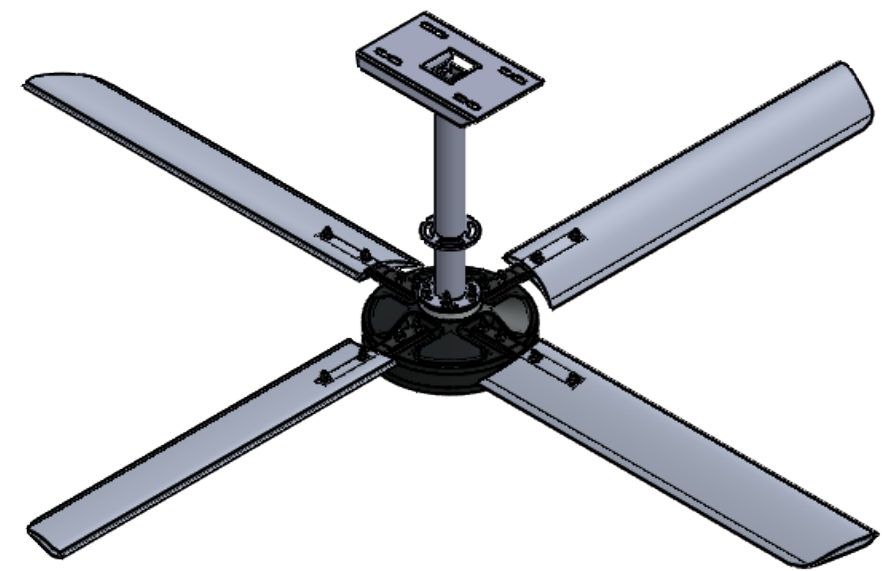
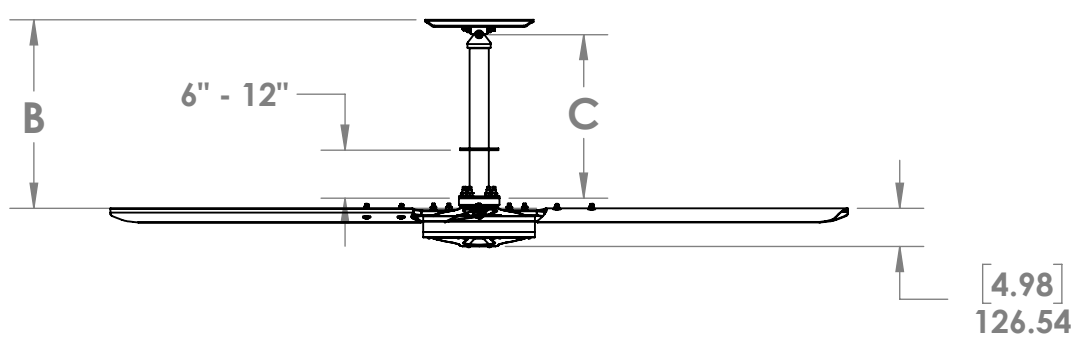


4

3

2

1



ECO FAN SIZE (FT.)	DIM. A (INCHES)	DIM. B (INCHES)	DIM. C (INCHES)
24	288	24 - 120	21 - 117
20	240	24 - 120	21 - 117
18	216	24 - 120	21 - 117
16	192	24 - 120	21 - 117
14	168	24 - 120	21 - 117
12	144	24 - 120	21 - 117
10	120	24 - 120	21 - 117
8	96	24 - 120	21 - 117

PROPRIETARY AND CONFIDENTIAL
 THE INFORMATION CONTAINED IN THIS DRAWING IS THE SOLE PROPERTY OF HUNTER FAN CO., MEMPHIS, TN. ANY REPRODUCTION IN PART OR AS A WHOLE WITHOUT THE WRITTEN PERMISSION OF HUNTER FAN CO., MEMPHIS, TN. IS PROHIBITED.

REV	DATE	DESCRIPTION	UNLESS OTHERWISE SPECIFIED:	NAME	DATE	Hunter Fan Co.	
			DIMENSIONS ARE IN MM TOLERANCES: ANGULAR: MACH ±.1° BEND ±1° TWO PLACE DECIMAL ±.25 THREE PLACE DECIMAL ±.025	DRAWN JAB	7-8-19	TITLE: ECO FAN ASSEMBLIES 24, 20, 18, 16, 14, 12, 10 & 8 FT.	
			INTERPRET GEOMETRIC TOLERANCING PER:	CHECKED		SIZE	DWG. NO.
			MATERIAL	ENG APPR.		B	REV
			FINISH	MFG APPR.		SCALE: 1:25	WEIGHT:
			DO NOT SCALE DRAWING	Q.A.			SHEET 1 OF 1
				COMMENTS:			
				EXP. NO:	-5297		

4

3

2

1

B

B

A

A